



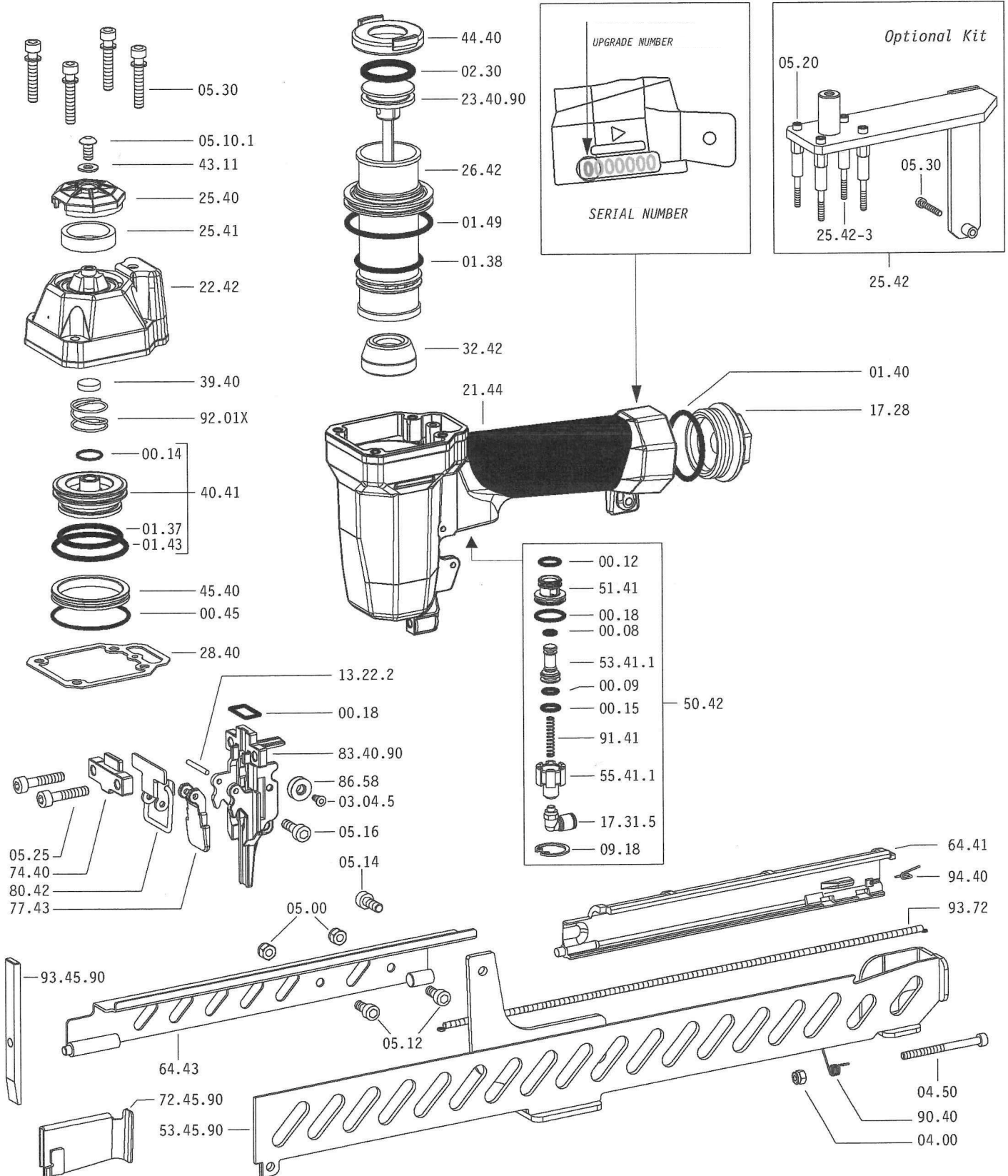
90.38 CLD3



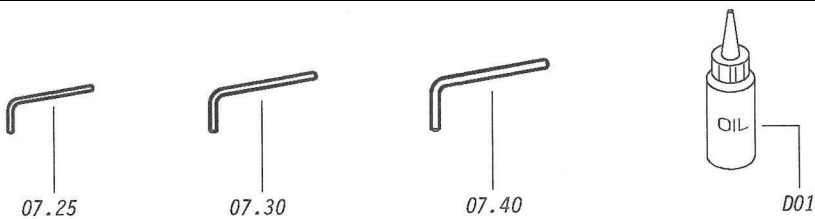
USE, MAINTENANCE & SPARE PARTS MANUAL

| TECHNICAL DATA | | Cod. 142704530D |
|-------------------------------------|-----------------------------|----------------------------------------------|
| Usable lengths mm | 15 ÷ 40 | Type of Fastener 90 |
| Magazine capacity, no. of fasteners | 300 | |
| Working pressure | 5 ÷ 7.5 bar 70 ÷ 105 psi | |
| Air consumption litres/shot | 0.54 | |
| Weight kg | 1.60 | |
| Dimensions mm | 480 x 58 x 241 | |
| Emitted sound power | 93 dB(A) | |
| | | March 2021 |

SPARE PARTS



EQUIPMENT



90.38 CLD3

cod. 142704530D

SPARE PARTS

| Cod. | Description |
|----------|------------------------|
| 00.08 | O-Ring |
| 00.09 | O-Ring |
| 00.12 | O-Ring |
| 00.14 | O-Ring |
| 00.15 | O-Ring |
| 00.18 | O-Ring |
| 00.45 | O-Ring |
| 01.37 | O-Ring |
| 01.38 | O-Ring |
| 01.40 | O-Ring |
| 01.43 | O-Ring |
| 01.49 | O-Ring |
| 02.30 | O-Ring |
| 03.04.5 | Screw |
| 04.00 | Nut |
| 04.50 | Screw |
| 05.00 | Nut |
| 05.10.1 | Screw |
| 05.12 | Screw |
| 05.14 | Screw |
| 05.16 | Screw |
| 05.20 | Screw |
| 05.25 | Screw |
| 05.30 | Screw |
| 07.25 | Hex. bar wrench |
| 07.30 | Hex. bar wrench |
| 07.40 | Hex. bar wrench |
| 09.18 | Elastic ring |
| 13.22.2 | Pin |
| 17.28 | Inlet cap |
| 17.31.5 | Air plug |
| 21.44 | Body |
| 22.42 | Head |
| 25.40 | Exhaust deflector |
| 25.41 | Silencer |
| 25.42 | Support |
| 25.42-3 | Spacer |
| 26.42 | Cylinder |
| 28.40 | Head gasket |
| 32.42 | Bumper |
| 39.40 | Exhaust seal |
| 40.41 | Valve ass'y |
| 43.11 | Washer |
| 44.40 | Gasket |
| 45.40 | Ring |
| 50.42 | Trigger valve ass'y |
| 51.41 | Trigger valve housi ng |
| 53.41.1 | Valve piston |
| 55.41.1 | Bush |
| 64.41 | Hold down |
| 64.43 | Hold down |
| 74.40 | Nose guide |
| 77.43 | Safety nose plate |
| 80.42 | Nose plate lock |
| 86.58 | Pulley |
| 90.40 | Spring |
| 91.41 | Spring |
| 92.01X | Spring |
| 93.72 | Spring |
| 94.40 | Spring |
| 23.40.90 | Driver |
| 53.45.90 | Magazine |
| 72.45.90 | Pusher |
| 83.40.90 | Nose |
| 93.45.90 | Nose plate |
| D01 | Oiler |

O - R - I - N - G - S

